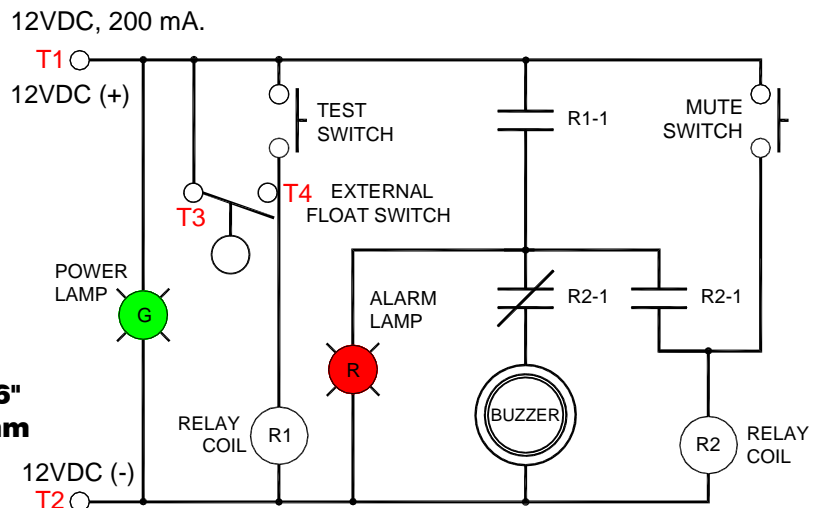
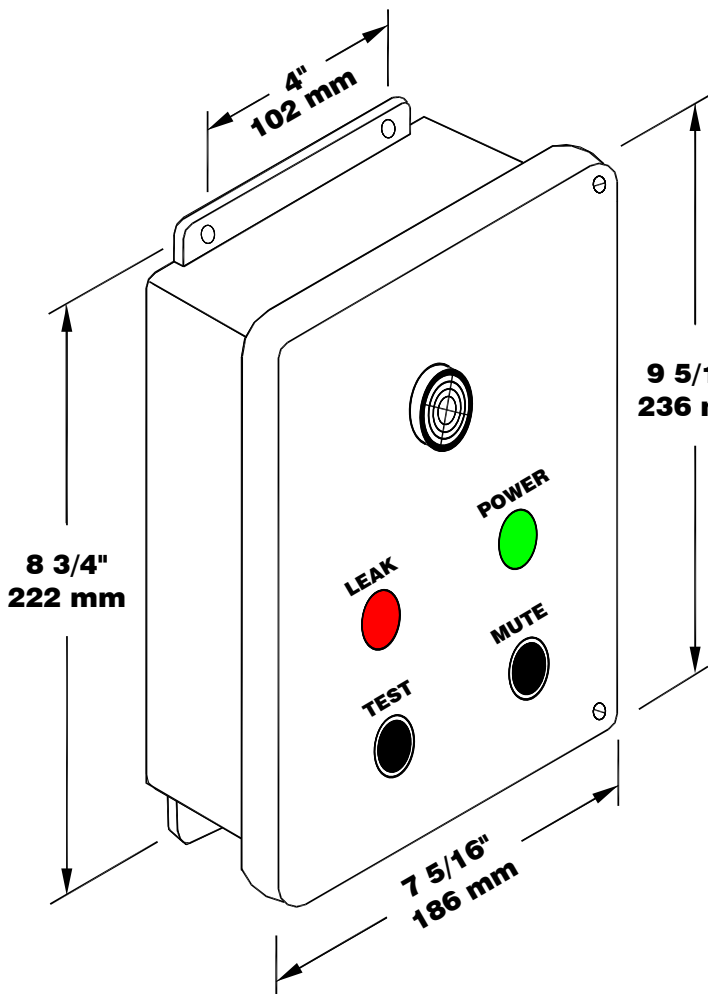


## AL101 Overfill Protection Device, Indoor Alarm Part No.: AL101-1-R-12VDC Indoor Single Alarm Panel

The Model AL101-1-R-12VDC is an Indoor alarm panel that accepts a switch contact input and provides an audible alarm signal when the external contact is closed. It must be mounted in a non-hazardous location. The green pilot light indicates the 12 VDC power. The test push-button is a momentary button that turns on the red light and the horn. The red pilot light provides the visual alarm indication for the alarm contact. The mute push-button is a momentary button that mutes the horn for the alarm input. In the event of a power failure the alarm will come back on with the power. The red light remains on until the alarm condition is corrected. The alarm circuit resets automatically. The panel also has a relay dry contact output. Use Ktech float switches for the alarm input contacts.

### Electrical Specifications

- 12VDC, 200mA
- Switch input at terminals 3 & 4
- Relay Output at terminals 5 & 6 & 7
  - Contact rating: 10A
- Wire Gauge Range is 20-10AWG
- Buzzer -- 95 dB @ 1 ft.



•	•	•	•	•	•	•
1	2	3	4	5	6	7
•	•	•	•	•	•	•
12VDC (+)	12VDC (-)	LEAK	LEAK	COM	N.O.	N.C.
				RELAY		