

AL101 Leak Protection Device, Indoor Alarm Part No.: AL101-1-R-24VAC-FRP Indoor Alarm Panel

The Model AL101-1-R-24VAC-FRP is an indoor alarm panel that accepts a switch contact input and provides an audible alarm signal when the external contact is closed. The white pilot light indicates the 120 VAC power. The TEST push-button is a momentary button that turns on the red light and the horn. A transformer provides 24VAC output to the switch. The red pilot light provides the visual alarm indication for the alarm contact. The MUTE push-button is a momentary button that mutes the horn for the alarm input. In the event of a power failure the alarm will come back on with the power. The red light remains on until the alarm condition is corrected. The alarm circuit resets automatically. The panel also has a relay-NO/NC dry contact output for the switch input. It must be mounted in a non-hazardous location. Use Ktech float switches for the alarm input contacts.

Electrical Specifications

- 120 VAC, 60 Hz, 100mA
- 24VAC output to switch
- Switch input at terminals **3&4**
- 10Amp relay contacts at terminals **5&6&7**
- Wire Gauge Range is 20-10AWG
- Buzzer -- 95 dB @ 1 ft.

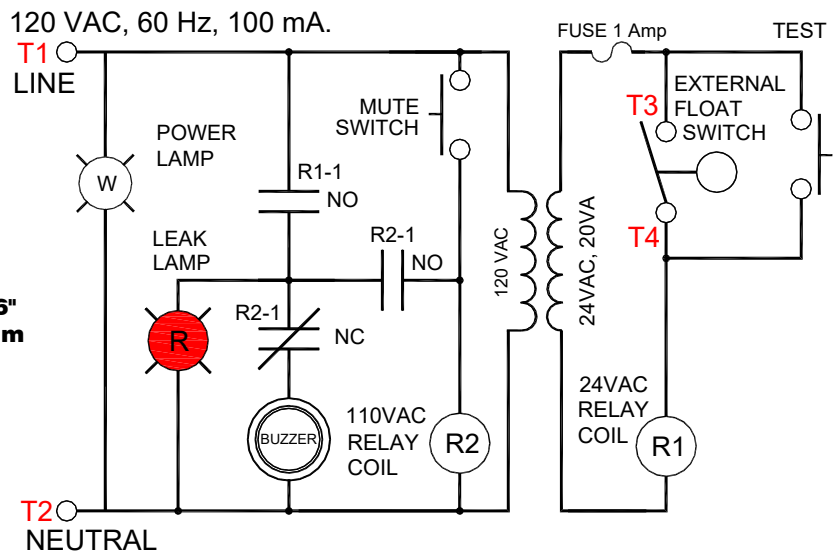
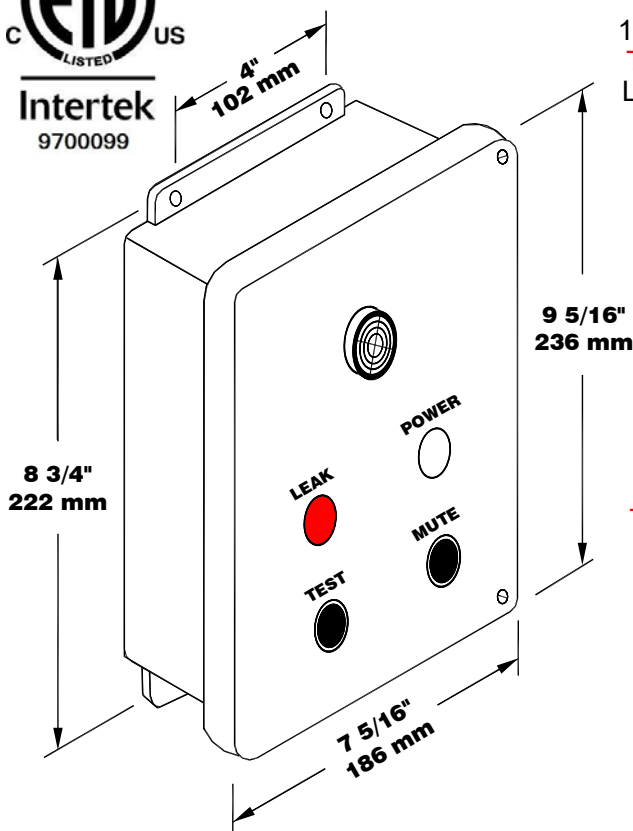


LISTED
NONVOLUMETRIC
LEAK DETECTION
DEVICES
4YC9

CAN/ULC-S675.2-14



Certified to CSA C22.2 No.205 and Conforms to UL2017
CAUTION: REFER TO INSTRUCTIONS BEFORE OPERATING ALARMS



•	•	•	•	•	•	•
1	2	3	4	5	6	7
•	•	•	•	•	•	•
120VAC - Line	Neutral	LEAK	LEAK	RELAY-COM	RELAY-NO	RELAY-NC
		24VAC Output to Switch				LEAK