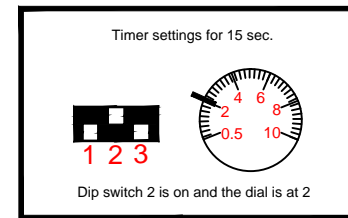
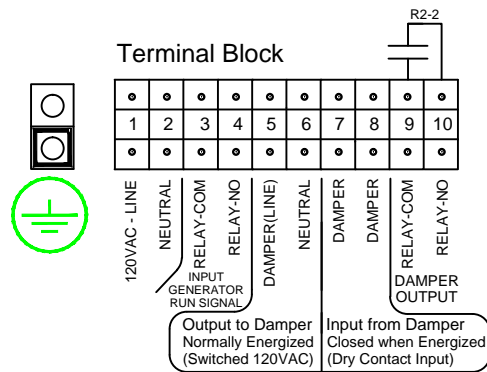
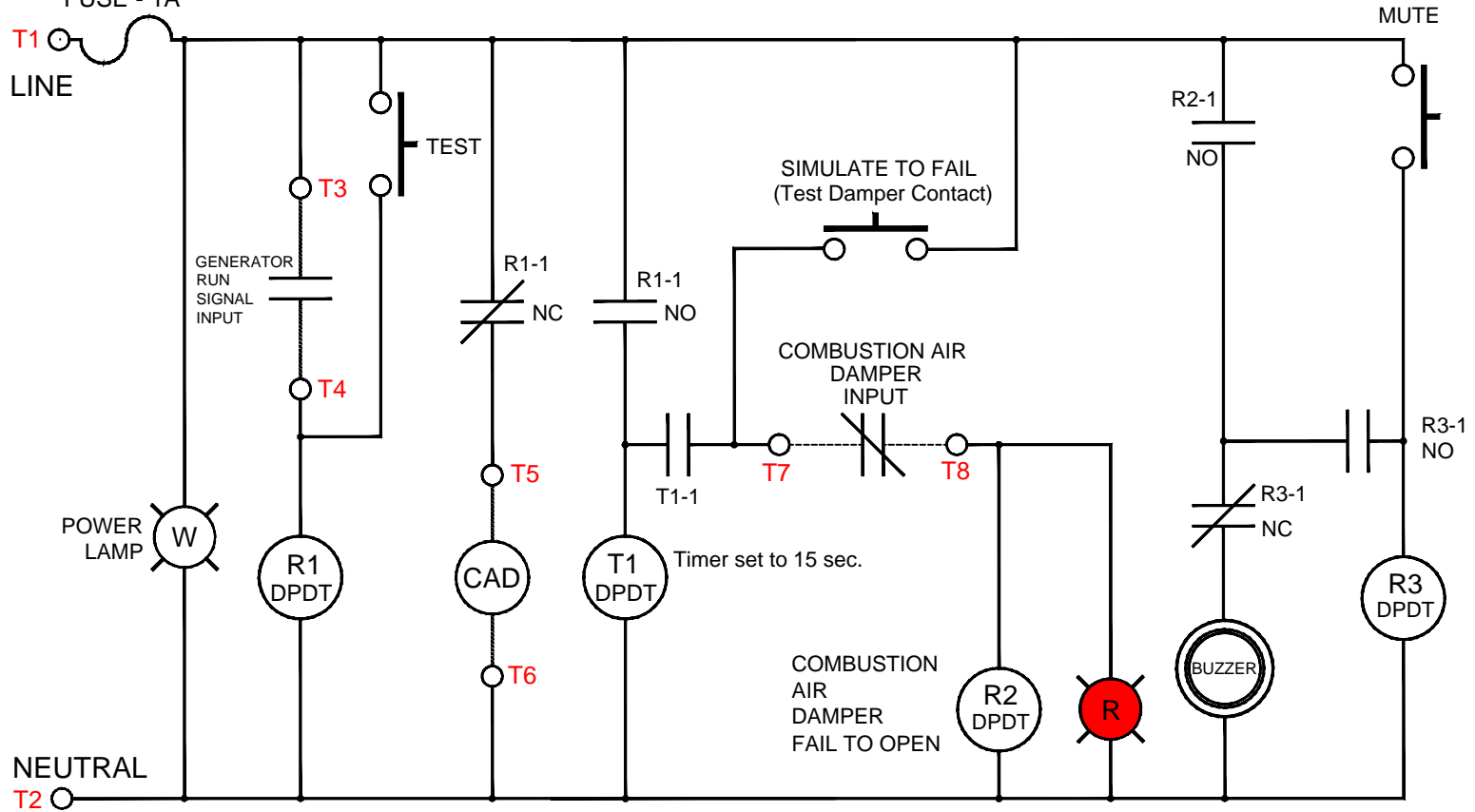


120 VAC, 60 Hz, 150mA

FUSE - 1A

T1
LINE

T2
NEUTRAL



KTECH INDUSTRIAL PRODUCTS INC.

Drawing: Indoor Alarm, 1 Damper
c/w relay output

Dwg. No. AL101-D-R-T-Schem (CP1100)

Date: July 4, 2022

Job: