

AL201 Overfill Protection Device Weatherproof Alarm Part No.: AL201-2-2R-TT-24VDC Weatherproof Alarm c/w Relay Outputs

The Model AL201-2-2R-TT-24VDC is a weatherproof alarm panel that accepts two switch contact inputs and provides an audible alarm signal when the external contacts are closed. The white pilot light indicates the 24 VDC power. The TEST push-button is a momentary button that turns on the two red lights and the horn. The red pilot lights provide the visual alarm indication for each alarm contact. The MUTE push-button is a momentary button that mutes the horn for the two alarm inputs. In addition there is a timer circuit that silences the horn automatically in 60 seconds. In the event of a power failure the alarm will come back on with the power for 60 seconds. The red light remains on until the alarm condition is corrected. The alarm circuit resets automatically. The panel also has a relay dry contact output for each switch input. It must be mounted in a non-hazardous location. (NO/NC) normal refers to the shelf state of the relay. Use Ktech float switches for the alarm input contacts. The panel is ULC Type 4 rated (Equivalent to Nema 4).

Electrical Specifications

- 24VDC, 400 mA
- Switch inputs at terminals **3&4, 5&6**
- Relay outputs at terminals **7&8&9, 10&11&12**
- Wire Range is 20-10AWG
- Horn -- 95 dB @ 10 feet.

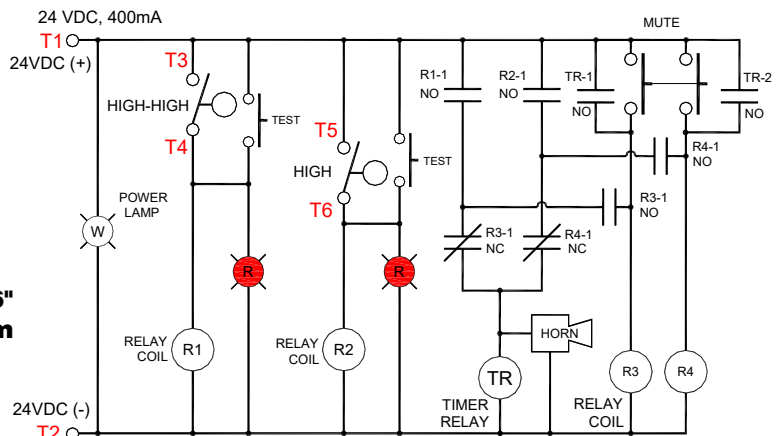
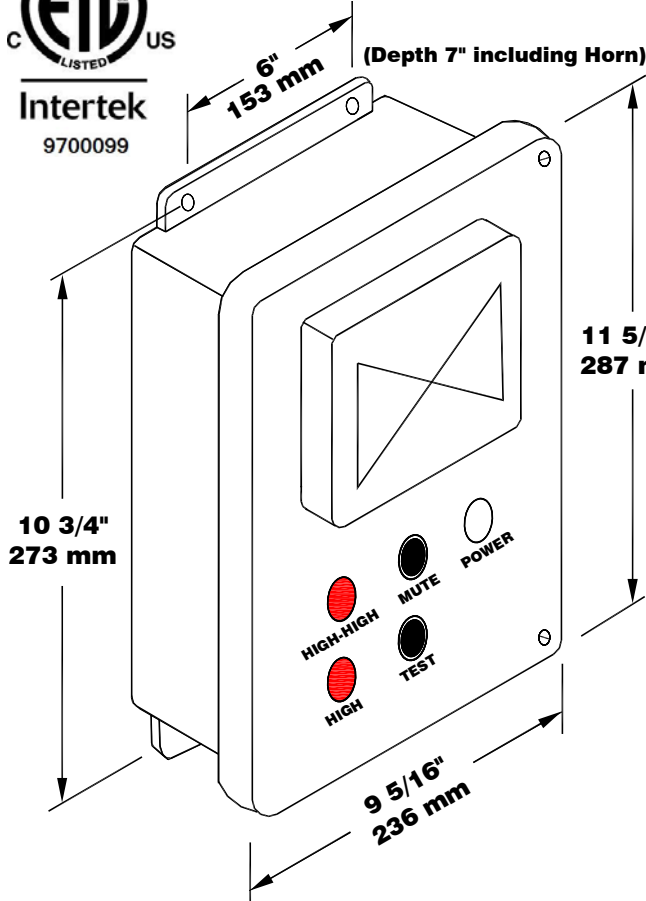


LISTED
OVERFILL
PROTECTION
DEVICES
4YC9

CAN/ULC-S661-10



Certified to CSA C22.2 No.205 and Conforms to UL2017
CAUTION: REFER TO INSTRUCTIONS BEFORE OPERATING ALARMS



•	•	•	•	•	•	•	•	•	•	•	•
1	2	3	4	5	6	7	8	9	10	11	12
•	•	•	•	•	•	•	•	•	•	•	•
24VDC (+)	24VDC (-)	HIGH-HIGH	HIGH-HIGH	HIGH	HIGH	RELAY-COM	RELAY-NC	RELAY-NC	RELAY-COM	RELAY-NO	RELAY-NC
		Dry Contact	Dry Contact	Switch Inputs	HIGH-HIGH	HIGH					Dry Contact Outputs

