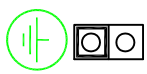
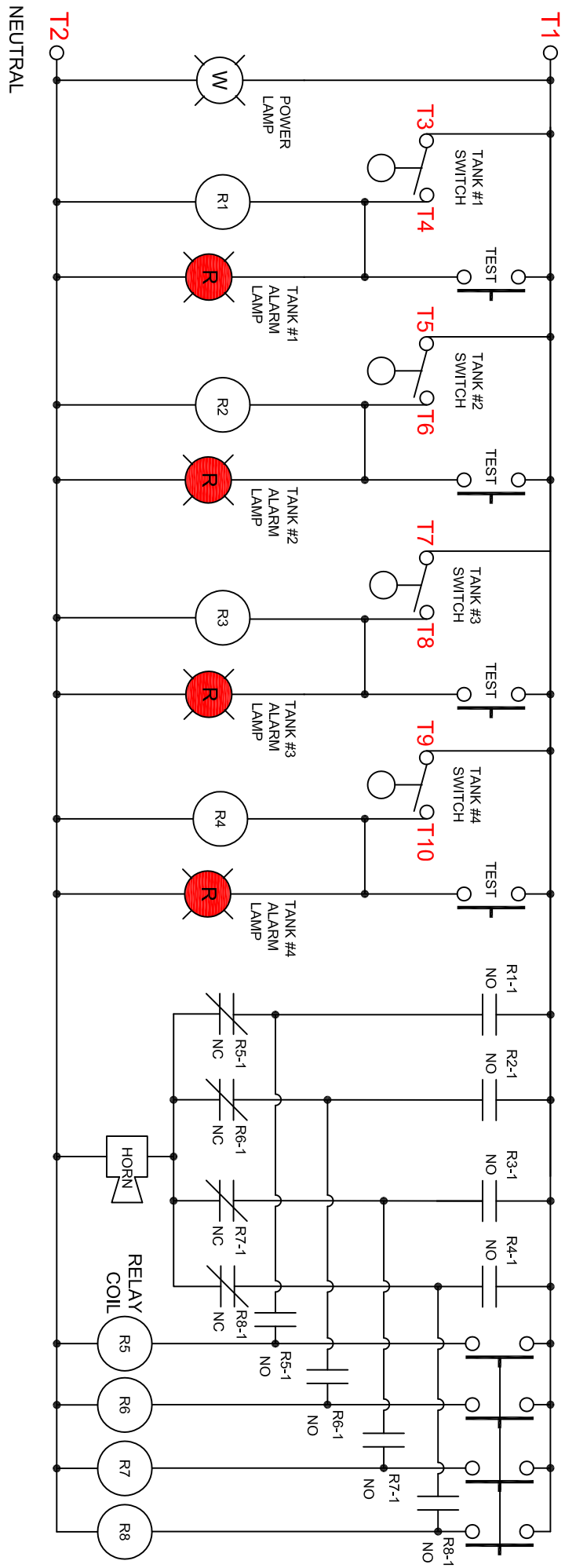


120 VAC, 60 Hz, 300mA

LINE



Terminal Block

1	2	3	4	5	6	7	8	9	10	11	12	13	14	15	16	17	18	
○	○	○	○	○	○	○	○	○	○	○	○	○	○	○	○	○	○	○
120VAC - LINE										NEUTRAL								
Dry Contact Switch Inputs										Dry Contact Outputs								

NO R1-2 R2-2 R3-2 R4-2

TANK #1 RELAY-COM
TANK #1 RELAY-NO
TANK #2 RELAY-COM
TANK #2 RELAY-NO
TANK #3 RELAY-COM
TANK #3 RELAY-NO
TANK #4 RELAY-COM
TANK #4 RELAY-NO

KTECH INDUSTRIAL PRODUCTS INC.

Drawing: Weatherproof 4 Input Alarm - Tank #1 to Tank #4
c/w Mute, Test, Auto Reset & Relay Outputs

Dwg. No. AL201-4-4R-4TK Schem

Date: Jan 30, 2019 Job:

