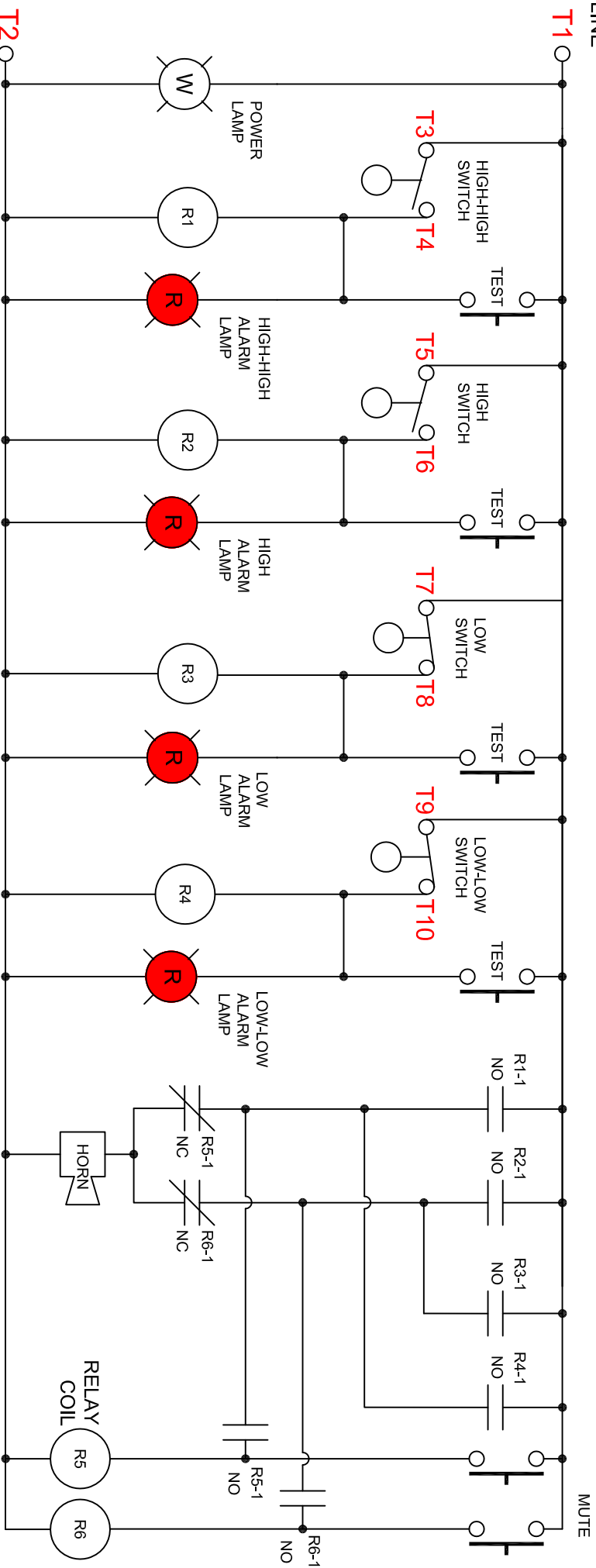
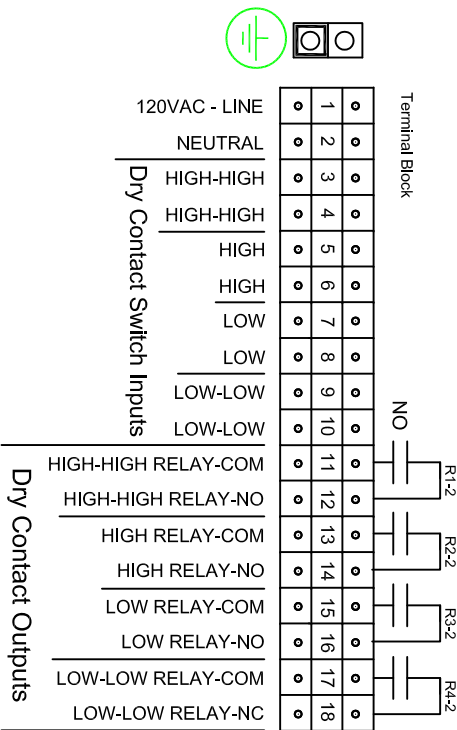


120 VAC, 60 Hz, 300mA

LINE



T2  
NEUTRAL



**KTECH INDUSTRIAL PRODUCTS INC.**

**Drawing:** Weatherproof 4 Input Alarm -High-High, High, Low & Low-Low  
c/w Mute, Test, Auto Reset & Relay Outputs

**Dwg. No.** AL201-4-4R-HHLLL Schem

**Date:** June 27, 2018

**Job:**

