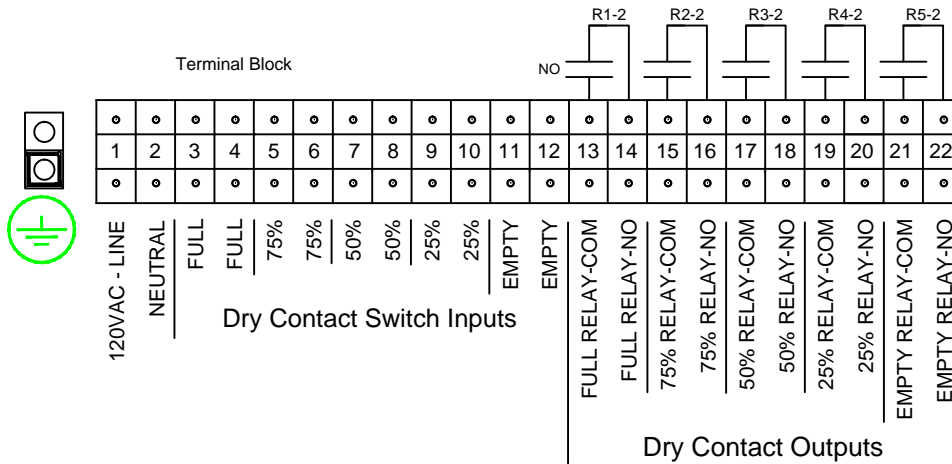
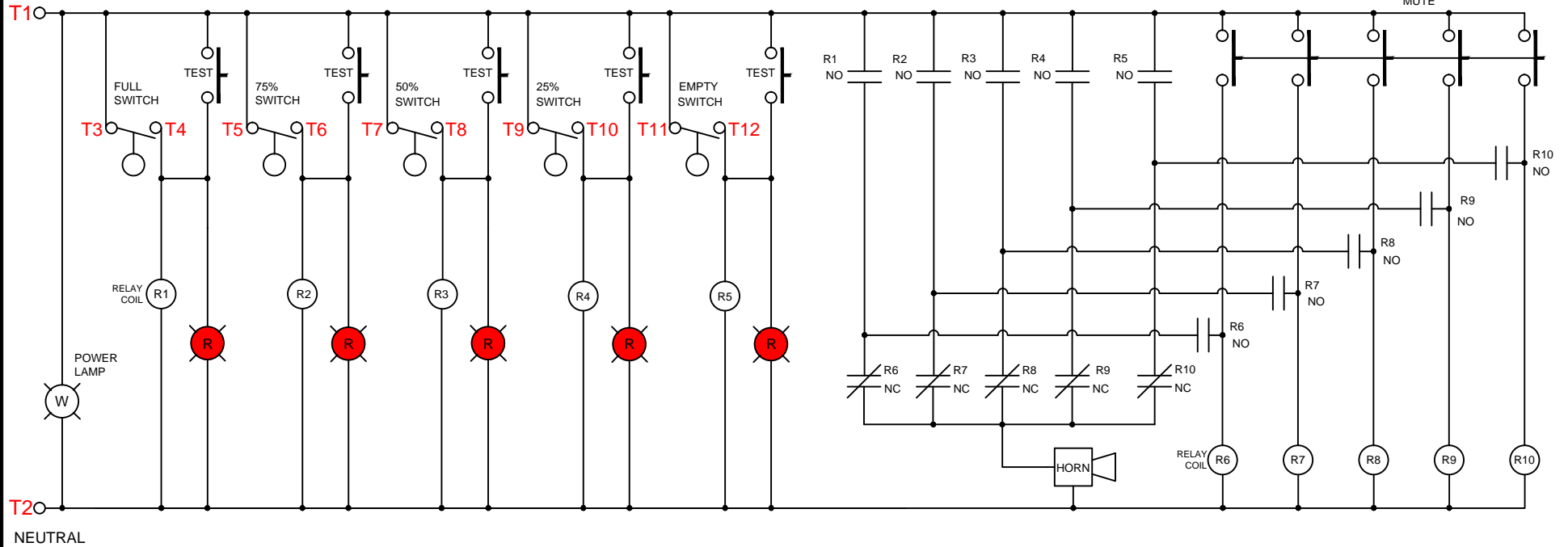


120 VAC, 60 Hz, 350mA
LINE



KTECH INDUSTRIAL PRODUCTS INC.

Drawing: Weatherproof 5 Input Alarm
c/w Test, Mute, Auto Reset & Relay Outputs

Dwg. No. AL201-5-5R-G Schematic

Date: July 11, 2022 Job: