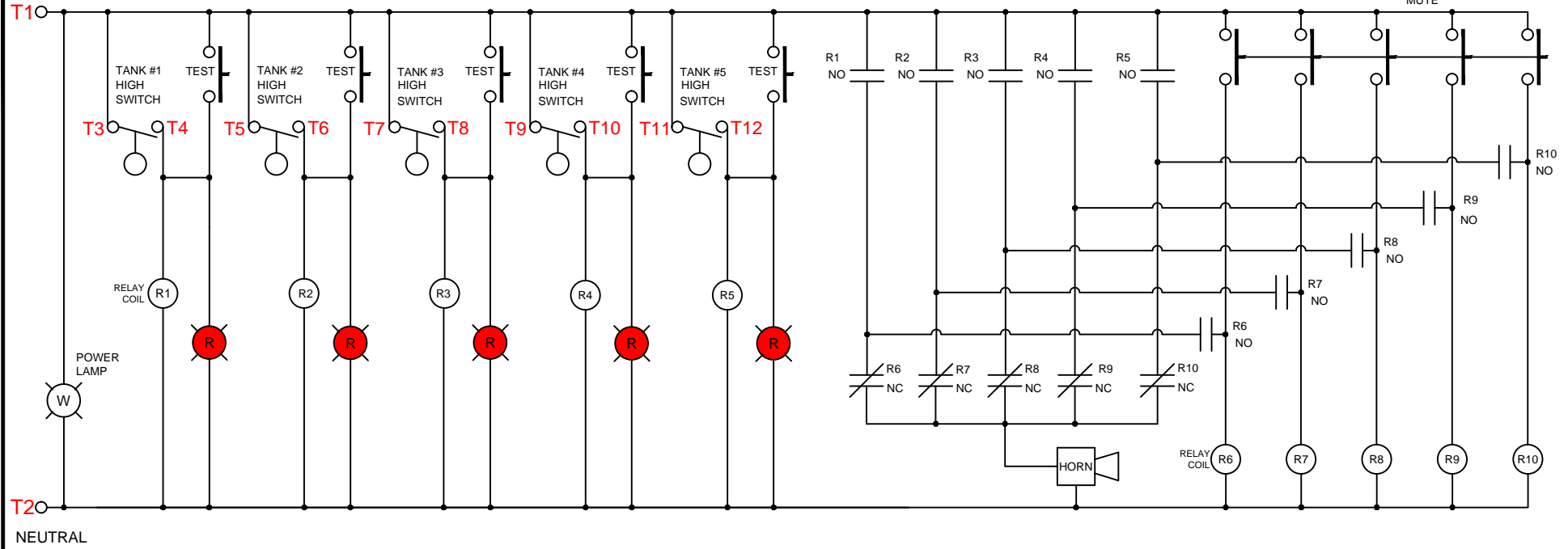
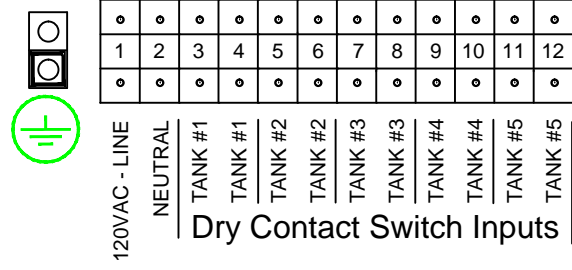


120 VAC, 60 Hz, 350mA
LINE



Terminal Block



KTECH INDUSTRIAL PRODUCTS INC.
 Drawing: Weatherproof 5 Input Alarm - 5 Tanks
 c/w Test, Mute & Auto Reset
 Dwg. No. AL201-5-5TK Schematic
 Date: July 11, 2022 | Job: