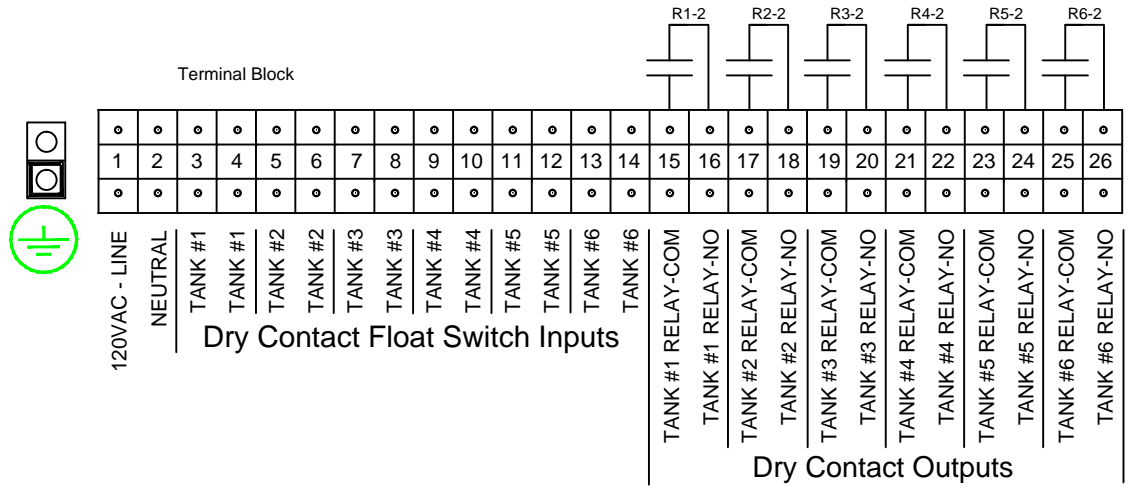
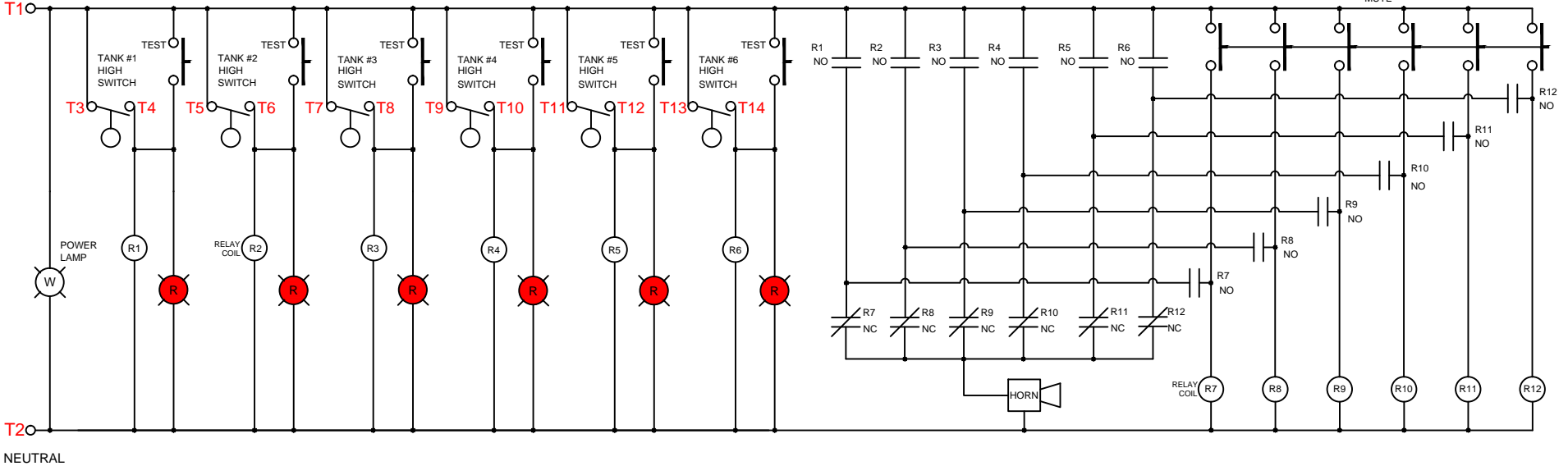


120 VAC, 60 Hz, 400mA
LINE



KTECH INDUSTRIAL PRODUCTS INC.

Drawing: Weatherproof 6 Input Alarm
c/w Test, Mute, Auto Reset & Relay Outputs

Dwg. No. AL201-6-6R Schematic

Date: Aug 8, 2022 Job: