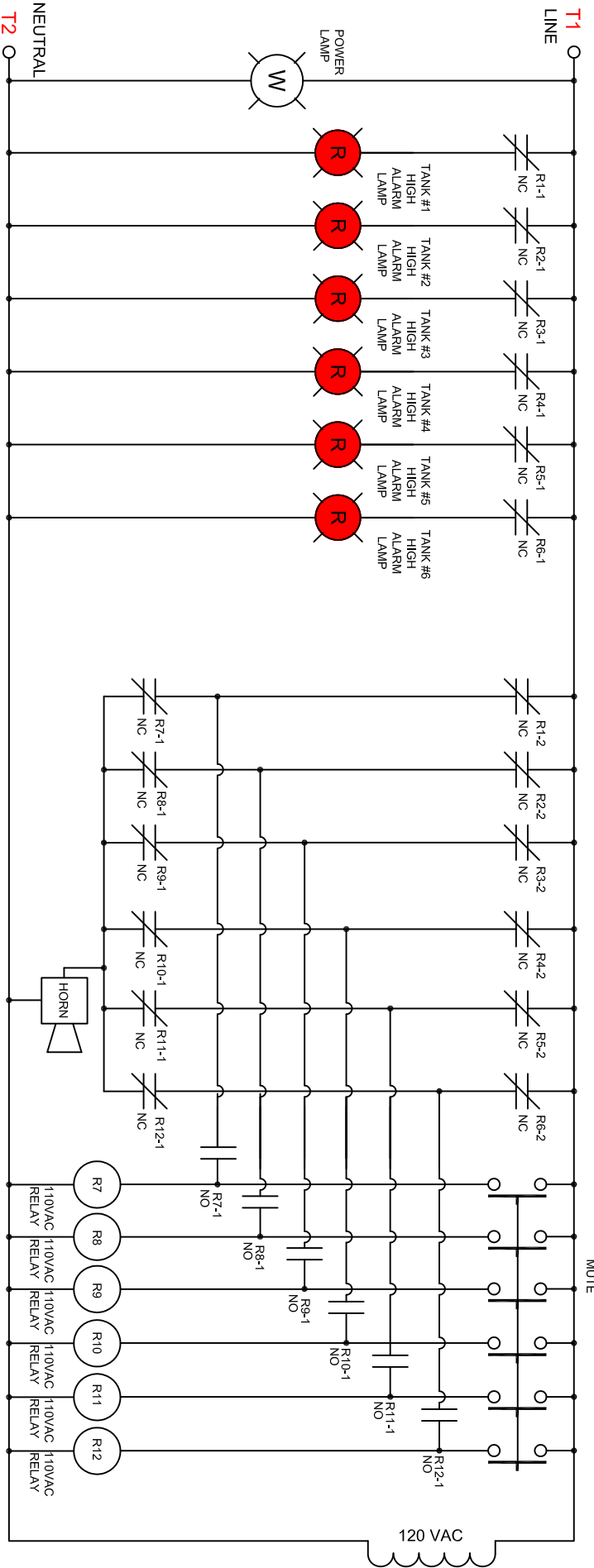


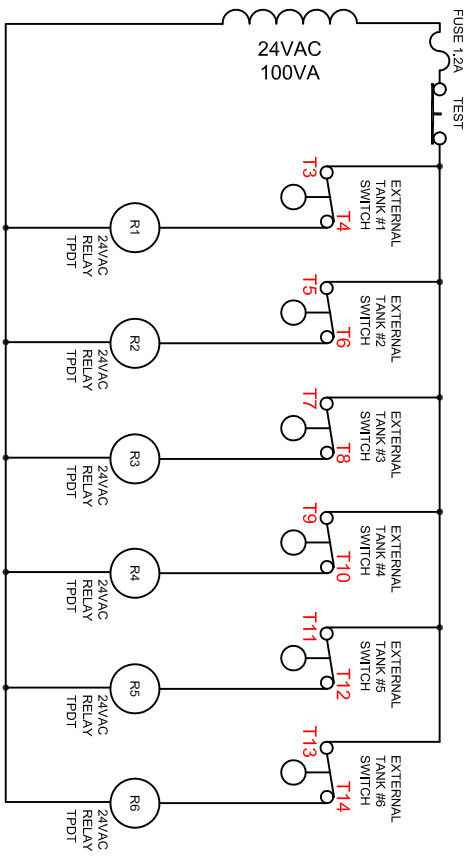
120 VAC, 60 Hz, 400mA



Terminal Block

|               |   |   |   |   |   |   |   |   |   |    |    |    |    |    |
|---------------|---|---|---|---|---|---|---|---|---|----|----|----|----|----|
| 120VAC - LINE | 1 | 2 | 3 | 4 | 5 | 6 | 7 | 8 | 9 | 10 | 11 | 12 | 13 | 14 |
| NEUTRAL       | 1 | 2 | 3 | 4 | 5 | 6 | 7 | 8 | 9 | 10 | 11 | 12 | 13 | 14 |

Normally Closed Dry Contact  
Float Switch Inputs  
(24Vac Output to Switches)



**KTECH INDUSTRIAL PRODUCTS INC.**

Drawing: Weatherproof 6 Tank Fail Safe Alarm  
c/w Test, Mute, Auto Reset & 24VAC to Switches

Dwg. No. AL201-6-6TK-24VAC-FS Schematic

Date: Mar 13, 2019

Job: