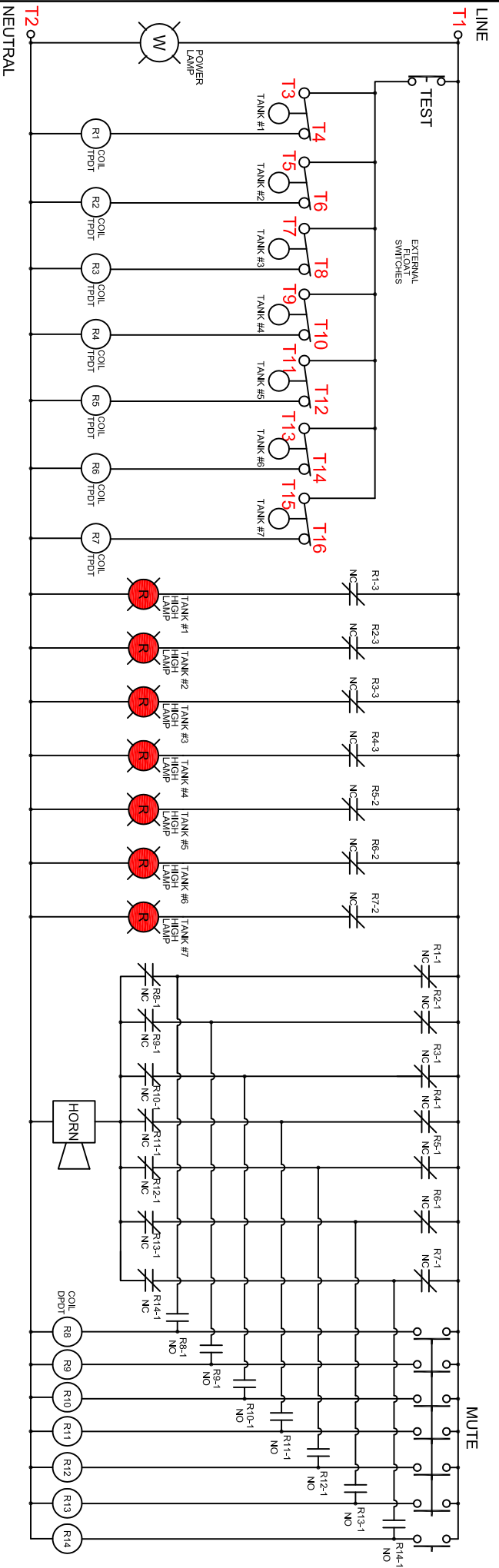


120 VAC, 60 Hz, 350mA



Terminal Block

1	2	3	4	5	6	7	8	9	10	11	12	13	14	15	16	17	18	19	20	21	22	23	24	25	26	27	28	29	30	
○	○	○	○	○	○	○	○	○	○	○	○	○	○	○	○	○	○	○	○	○	○	○	○	○	○	○	○	○	○	○
○	○	○	○	○	○	○	○	○	○	○	○	○	○	○	○	○	○	○	○	○	○	○	○	○	○	○	○	○	○	○

120VAC - Line
Neutral

TANK #1
TANK #1
TANK #2
TANK #2
TANK #3
TANK #3
TANK #4
TANK #4
TANK #5
TANK #5
TANK #6
TANK #6
TANK #7
TANK #7

RELAY-COM
RELAY-NO
RELAY-COM
RELAY-NO
RELAY-COM
RELAY-NO
RELAY-COM
RELAY-NO
RELAY-COM
RELAY-NO
RELAY-COM
RELAY-NO
RELAY-COM
RELAY-NO
RELAY-COM
RELAY-NO

TANK #1 | TANK #2 | TANK #3 | TANK #4 | TANK #5 | TANK #6 | TANK #7

Dry Contact Outputs

R1-3 R2-3 R3-3 R4-3 R5-3 R6-3 R7-3

(NO / NC) normal refers to the shelf state of the relay.

KTECH INDUSTRIAL PRODUCTS INC.

Drawing: Outdoor 7 Input Fall Safe Alarm Panel for 7 Tanks
c/w Test, Mute, Auto Reset & Relay Outputs

Dwg. No.: AL201-7-R-FS Schematic

Date: Sept 19, 2019

Job:

