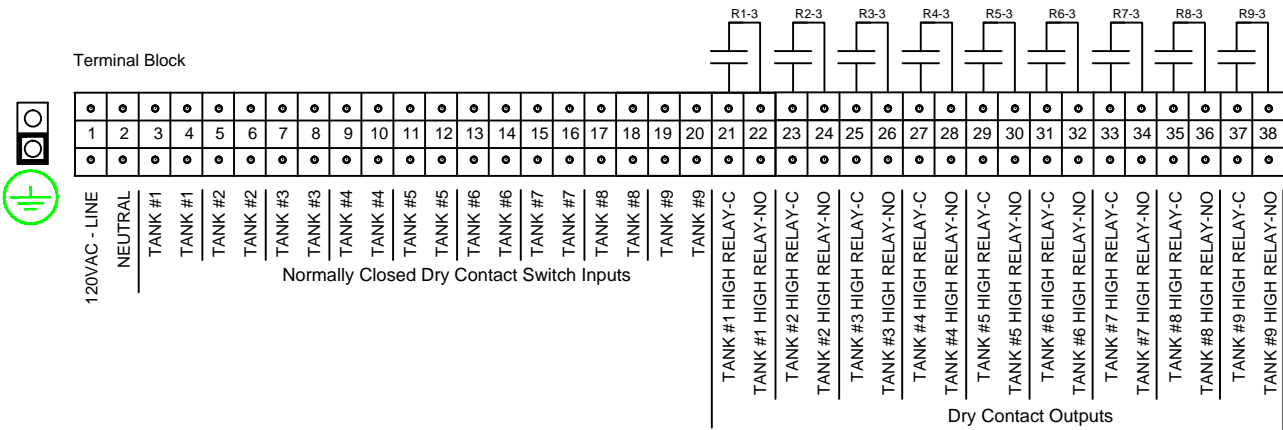
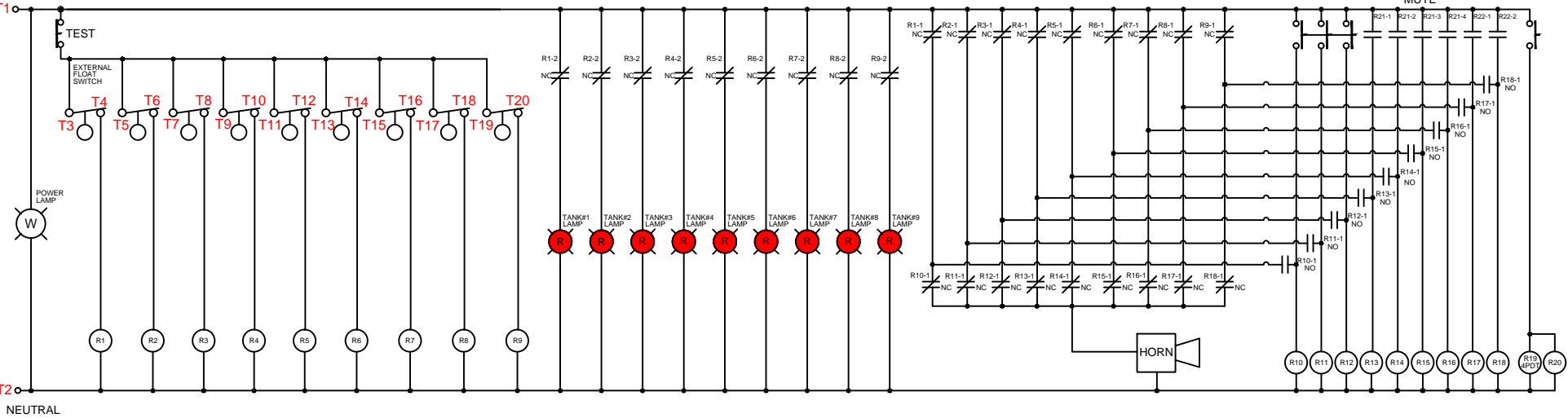


120 VAC, 60 Hz, 600mA

LINE



KTECH INDUSTRIAL PRODUCTS INC.

Drawing: Weatherproof 9-Tanks Alarm, Fail Safe
c/w Test, Mute, Auto Reset & Relay Outputs

Dwg. No.: AL201-9-9R-FS Schematic

Date: May 20, 2021

Job: